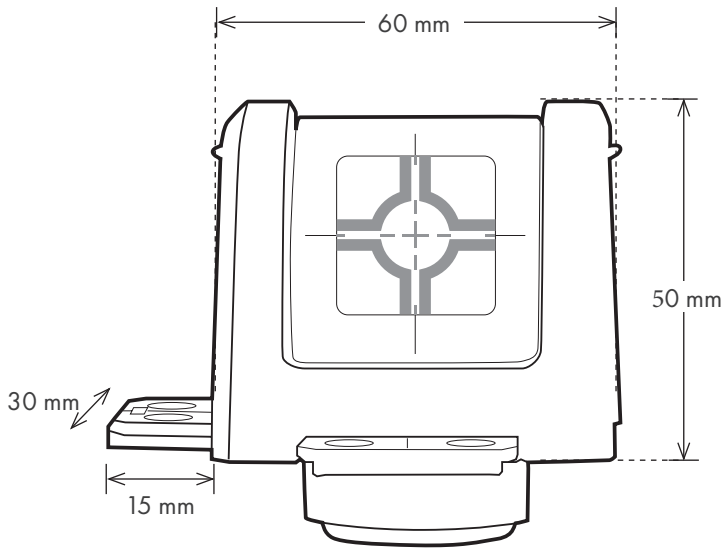


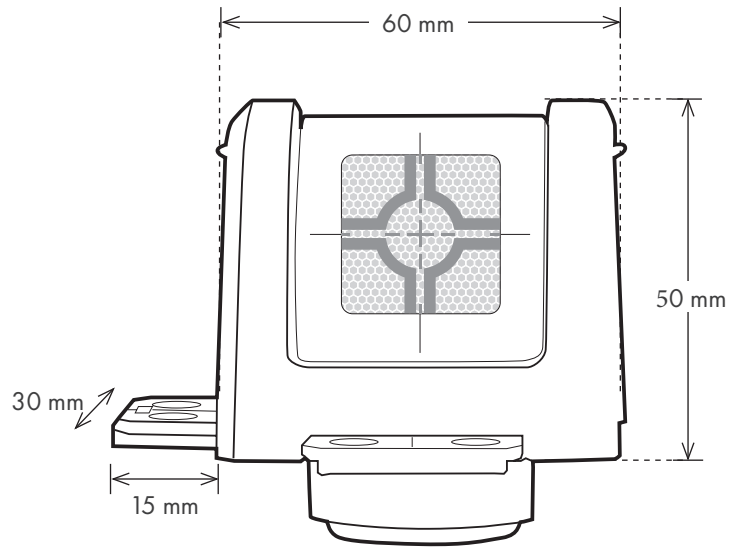
Referenzpunktserie mit Magnettopf RSMF10-16 Reference point series with magnet pot RSMF10-16

Kippachshöhe: 45 mm | Tilting axis height: 45 mm

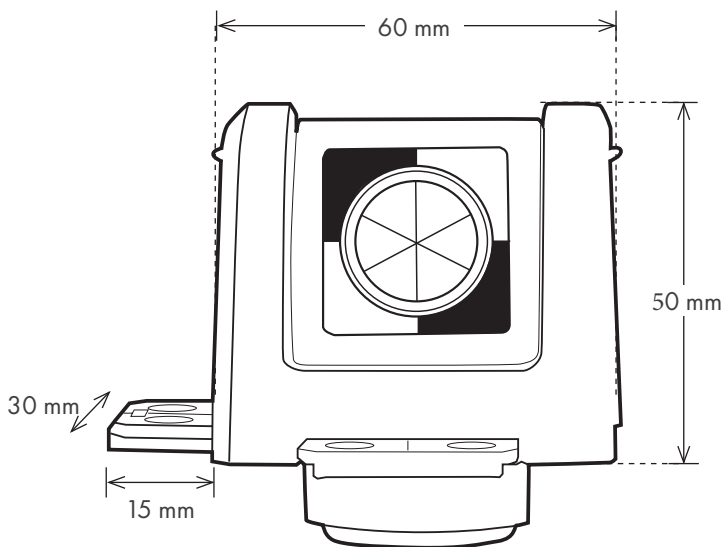
RSMF10



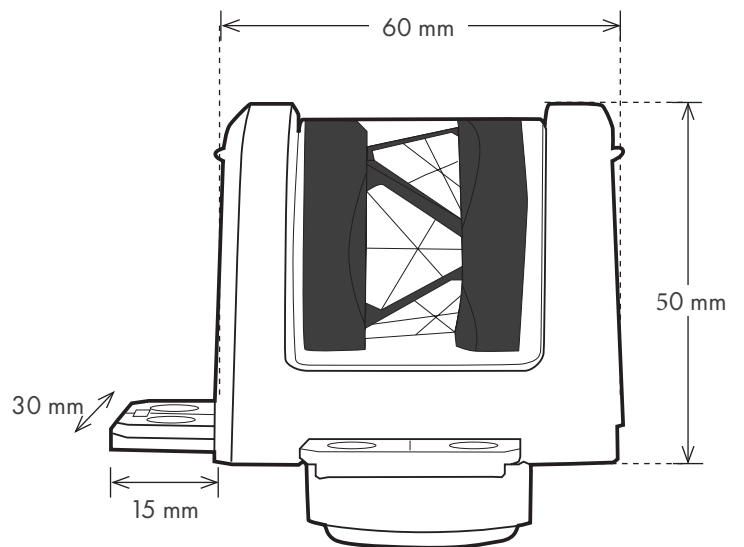
RSMF11



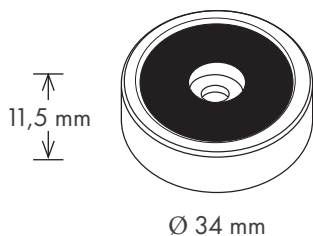
RSMF12



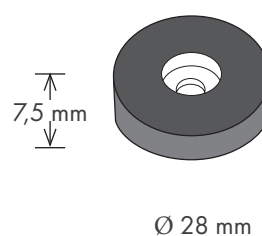
RSMF13



Magnettopf RSMS1033 Magnet Pot RSMS1033



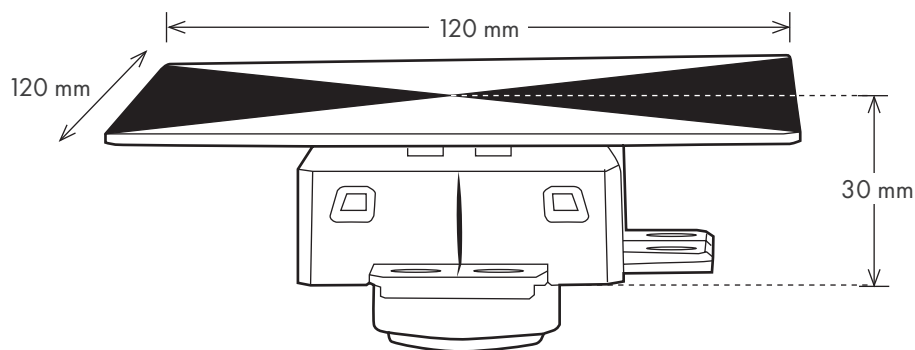
Magnet RSM1030 Magnet RSM1030



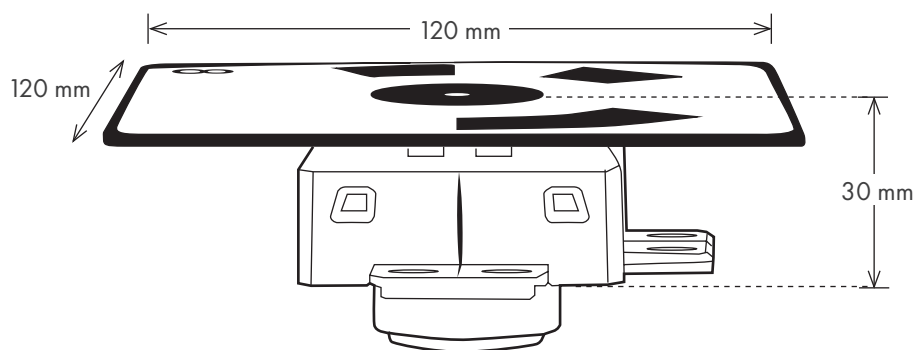
Referenzpunktserie mit Magnettopf RSMF10-16 Reference point series with magnet pot RSMF10-16

Kippachshöhe: 45 mm | Tilting axis height: 45 mm

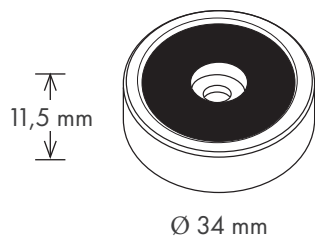
RSMF14



RSMF15 / RSMF16



Magnettopf RSMS1033 Magnet Pot RSMS1033



Magnet RSM1030 Magnet RSM1030

